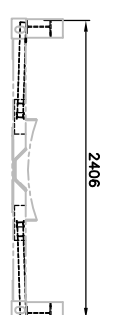
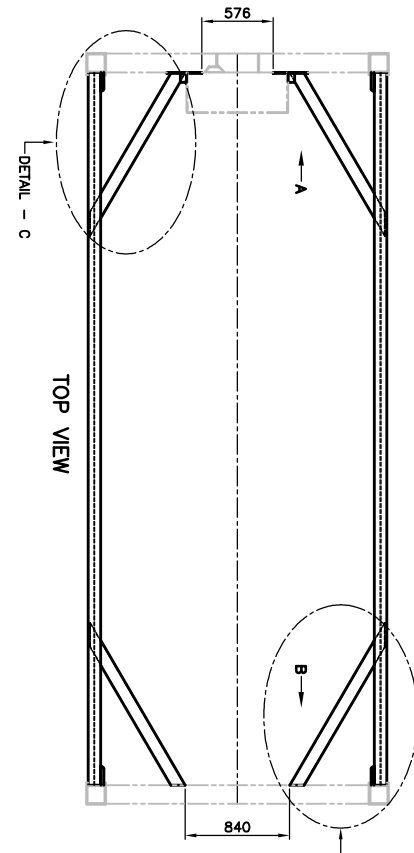


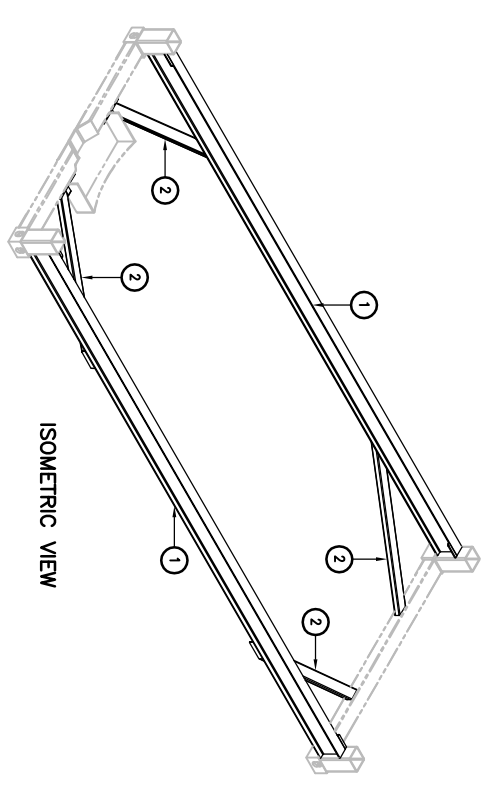
SIDE VIEW



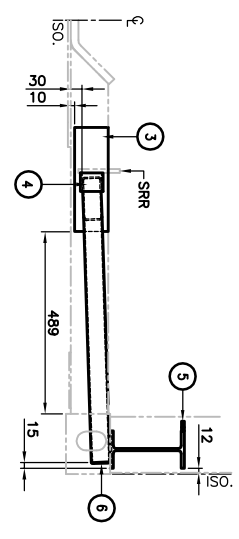
REAR VIEW



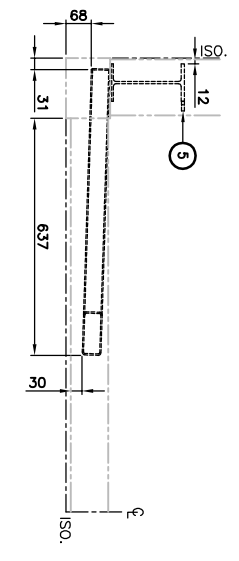
TOP VIEW



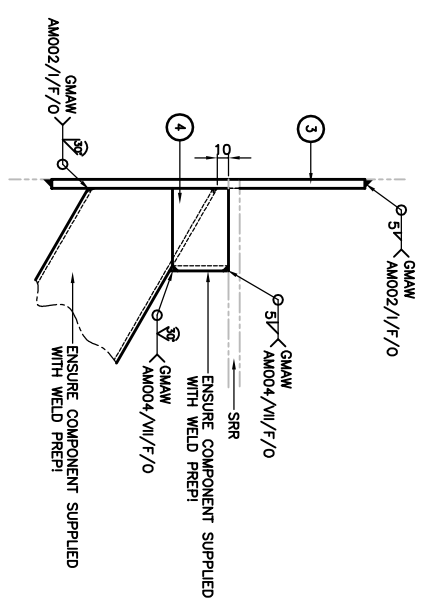
ISOMETRIC VIEW



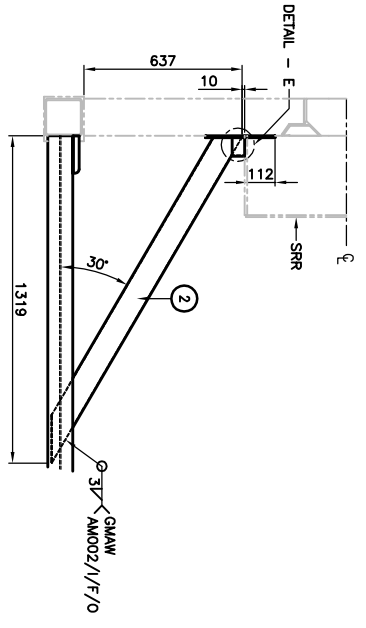
VIEW ON ARROW - A



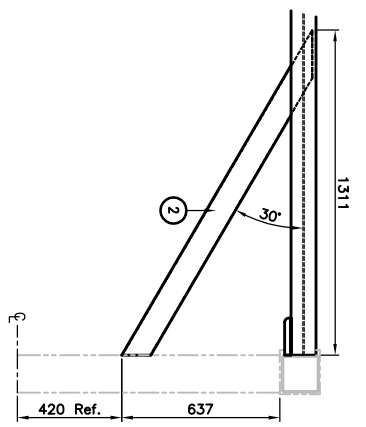
VIEW ON ARROW - B



DETAIL - E



DETAIL - C



DETAIL - D

| ITEM | QTY | DESCRIPTION          | UNIT | PROPORTION | SCALE | REMARKS            | PART NUMBER   | DATE  | BY |
|------|-----|----------------------|------|------------|-------|--------------------|---------------|-------|----|
| 1    | 2   | LONGITUDINAL 200PIPE | L    | 5741       | 200   | 5.5MM, 350MM       | IB000128RTM-A | 256.7 |    |
| 2    | 4   | BRACED JUNG          | B    | 1917       | 100   | 3.2MM, 116380      | RK00138RTM-A  | 43.9  |    |
| 3    | 2   | SUPPORT DOUBLER RT   |      | 280        | 90    | 8MM, 300MM         | SH00256RTM-A  | 3.2   |    |
| 4    | 2   | CLOSING BRK U74x61   |      | 190        | 50    | 4.5MM, 30x4        | SH00251RTM-A  | 0.0   |    |
| 5    | 4   | RN CLIP SET          |      | 150        | 26    | 8MM, 116380        | SH00073RTM-A  | 1.0   |    |
| 6    | 4   | SRT BRN - CLOSE RCT  |      | 190        | 47    | 3MM, C/S 450/300MM | SH00053RTM-A  | 0.8   |    |

**WEIFF ODDY**  
 BOTTOM FRAME-BUG,118 FROM ISO 200PIPE  
 DRAWING NR: BFM2002BUG999-A  
 FORM: 42H  
 DATE: \_\_\_\_\_  
 REVISIONS: \_\_\_\_\_  
 BY: \_\_\_\_\_